

GCX Mounting Assembly Installation Guide

Philips MX600/700/800 MP20/30/40/50/60/70 IntelliVue M Series Arm Kit for 10x25-40mm Vertical Rail

The purpose of this guide is to:

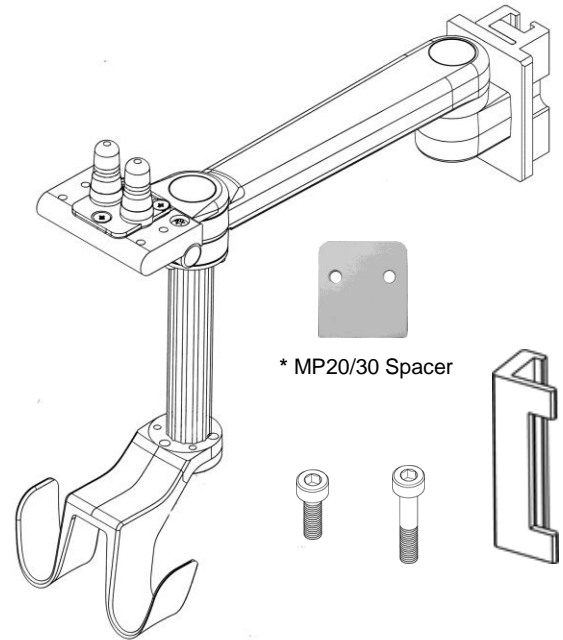
1. Describe securing of Arm to 10x25-40mm Vertical Rail
2. Describe attachment of Flexible Module Server (FMS) to Down Post
3. Describe operation and adjustment of M Series Arm
4. Describe removal of Down Post from Arm
5. Describe removal of Table Top Mount (MP20/30 only)

Parts Reference

The following parts and hardware are included for this installation procedure.

Item #	Description	Qty
1	M Series Arm 10x25-40mm Vertical Rail with pre-installed Table Top Mount	1
2	Retaining Clamp	1
3	M6 x 20mm Socket Head Cap Screw (SHCS) (10 x 25-30mm Rail)	2
4	M6 x 35mm SHCS (10 x 35-40mm Rail)	2
5	MP20/30 Spacer *	1
6	M6 x 16mm Pan Head Machine Screw (PHMS) *	2
7	5/32" Hex Wrench	1
8	M5 Hex Wrench	1
9	Down Post Disc	1
10	#10 x 1 Flat Head Sheet Metal Screw (FHSMS)	3

* See **Removing Philips Table Top Mount** on page 5 for use of these parts.



Tools Required: Phillips screwdriver (not provided), 5/32" & M5 hex wrenches (provided).



Caution - Before mounting the Arm:

1. Ensure that the weight of the device being mounted does not exceed the load rating of the M Series Arm. Check the "Max Load" rating label located on top of the arm at the rear pivot point. Do not use this arm for weights outside labeled load rating.
2. If assistance is needed regarding an application, please contact a GCX product specialist at +1 (800) 228-2555 or +1 707-773-1100.

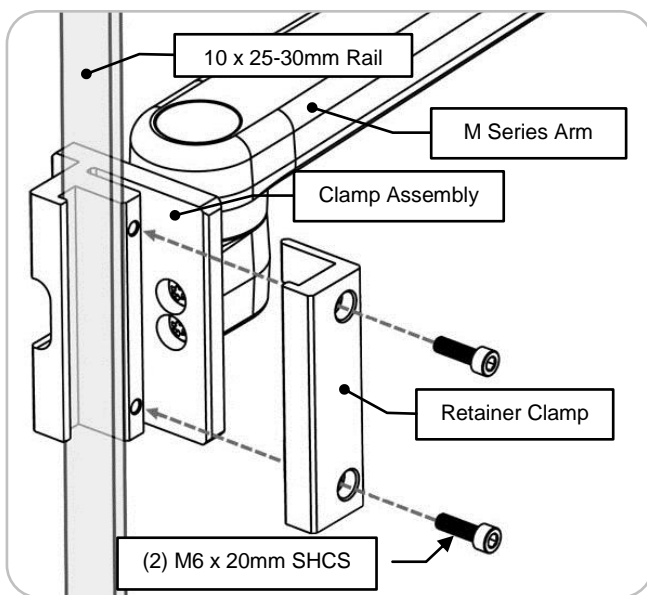
Secure M Series Arm to the Vertical Rail



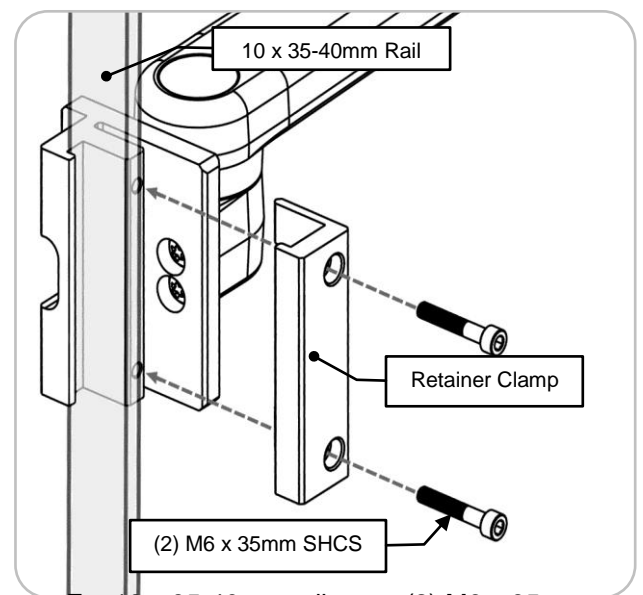
Warning- Vertical Rail Weight Limit

Check manufacturers weight limit for the vertical rail prior to installing Arm and related equipment. Failure to follow the manufactures weight limits and warnings may result in damage to equipment or injury to personnel.

1. Place the Clamp Assembly located at the backend of the Arm around the vertical rail as shown below.
2. Slide the Retainer Clamp laterally into the Clamp Assembly and install (2) M6 x 20mm SHCS (for rails 25-30mm) or (2) M6 x 35mm SHCS (for rails 35-40mm) using the M5 Hex Key. Move arm to desired height on rail and alternately tighten screws until arm is secure. There will be resistance when installing the (2) screws due to the locking patch material on the threads. Make sure the screws are tight and the arm is secure.



For 10 x 25-30mm rails, use (2) M6 x 20mm SHCS to secure Mounting Clamp.



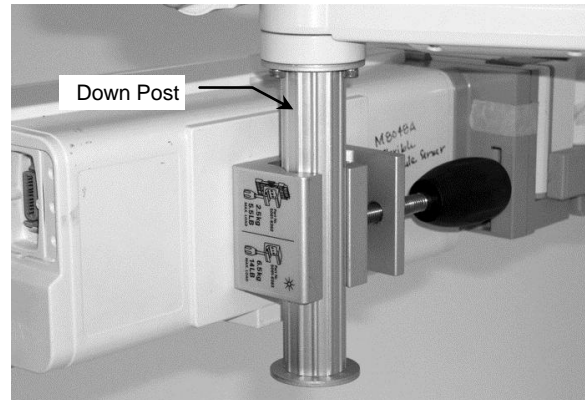
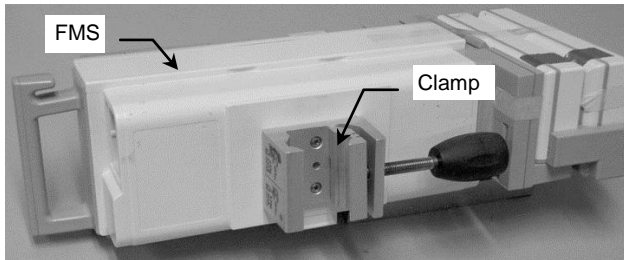
For 10 x 35-40mm rails, use (2) M6 x 35mm SHCS to secure Mounting Clamp.

Mounting the Philips Patient Monitor on the Arm

A Table Top Mounting Adapter is included with this Arm Kit (pre-installed) - secure the Philips patient monitor in accordance with the Philips Table Top Mount instructions included with the Philips patient monitor.

Mounting the Flexible Module Server (FMS) to the Down Post

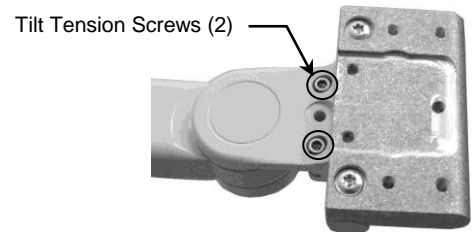
1. Attach the FMS to the Down Post by placing the Clamp around the Down Post and tightening the knob.



M Series Arm Operation and Adjustment

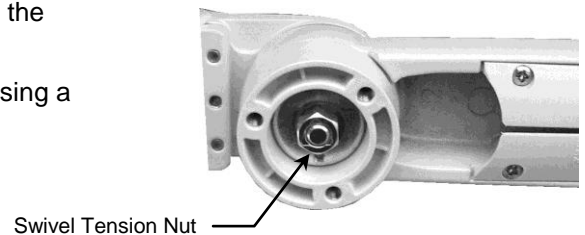
Tilt and Tilt Tension

1. To tilt the instrument, grasp the top and bottom of the instrument and tilt it to the desired angle.
2. To adjust tilt tension, equally tighten or loosen the two (2) Tilt Tension Adjustment screws using the supplied 5/32" hex wrench.



Swivel and Swivel Tension

1. To swivel the mounted instrument simply push or pull the corners of the instrument.
2. To adjust swivel tension, tighten or loosen the Swivel Tension Nut using a 1/2" [13 mm] socket wrench or nut driver.

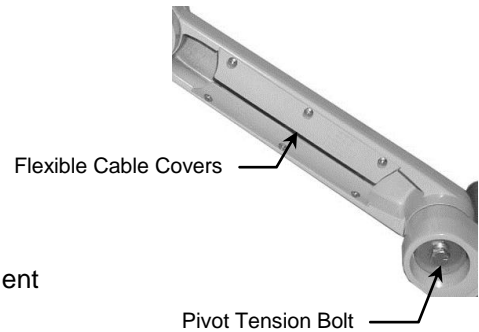


Pivot and Pivot Tension

1. To pivot the Arm at the Slide, simply push on the side of the Arm or mounted instrument.
2. To adjust pivot tension, loosen or tighten the Pivot Tension Bolt using a 1/2" [13 mm] socket wrench or nut driver.

Cable Management

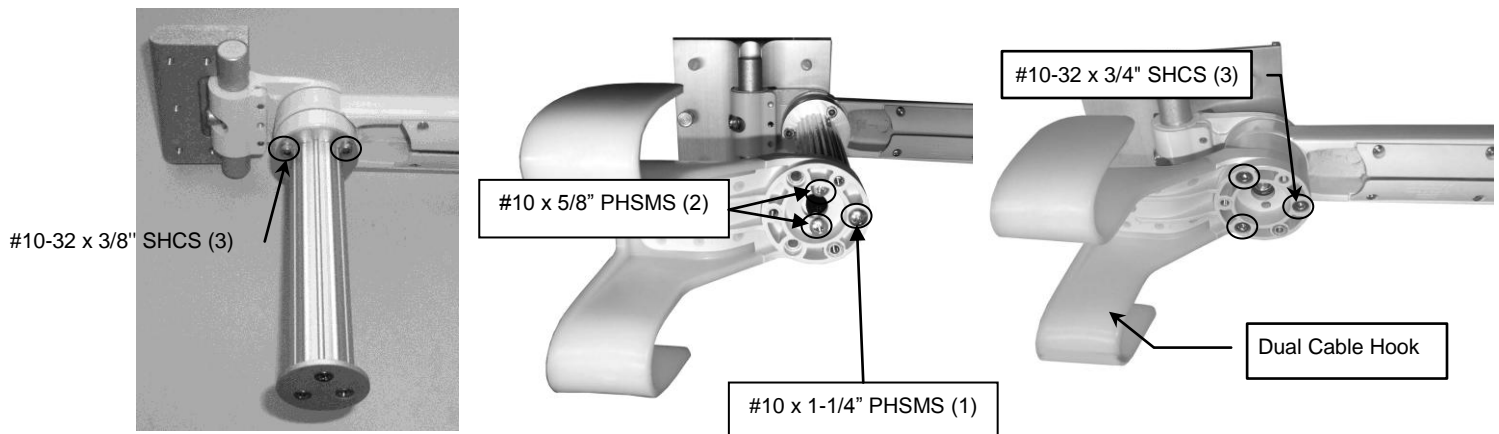
An open cavity beneath the arm with flexible cable covers allows management of cables between the front and rear of the arm.



Removing the Down Post* from the Arm

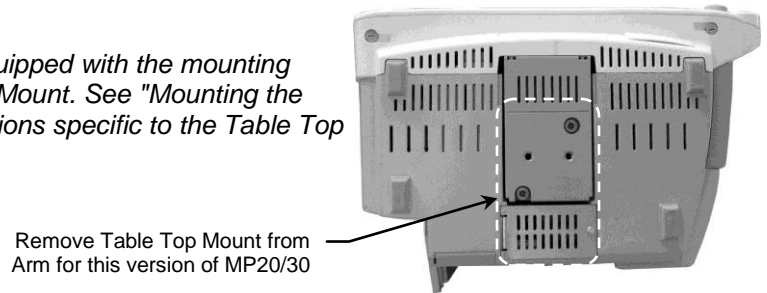
**The Down Post is used for mounting one of several available Module Servers (FMS, MMS, X2, etc.). If this is not needed, you may choose to remove the Down Post.*

1. Using the 5/32" hex wrench, remove the three (3) #10-32 x 3/8" SHCS.
2. To remove the Dual Cable Hook from the Down Post, remove the three (3) #10 PHSMS.
3. Reattach the Dual Cable Hook using the three (3) #10-32 x 3/4" SHCS.

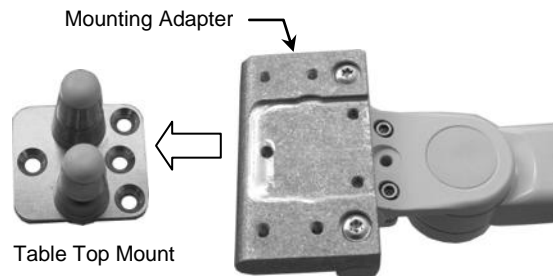
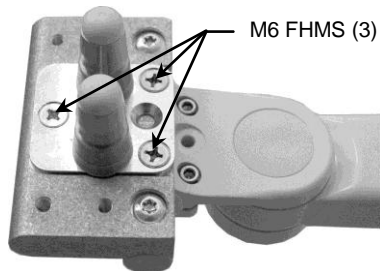


Removing the Philips Table Top Mount

Installation Note: If mounting an MP20/30 monitor equipped with the mounting interface shown in photo (right), remove the Table Top Mount. See "Mounting the Philips Patient Monitor on the Arm" (page 3) for instructions specific to the Table Top Mount.

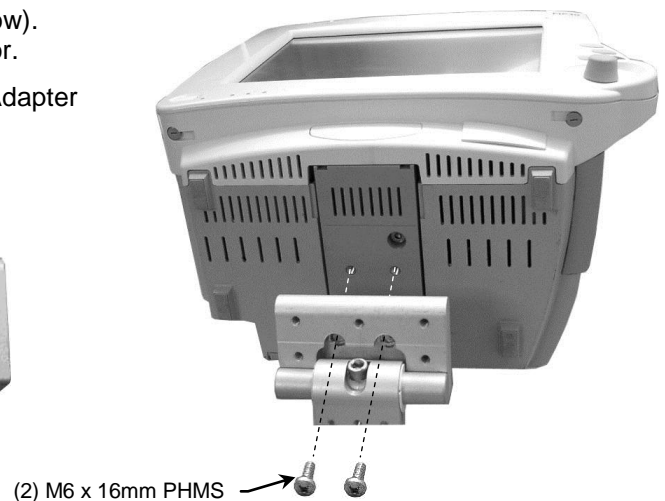
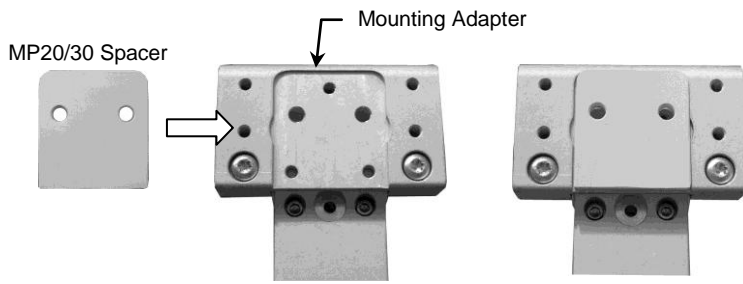


1. Remove the Table Top Mount from the Mounting Adapter by removing the (3) M6 FHMS.



MP20/30 non-Table Top Mount

1. Fit Spacer into recessed area on top of Mounting Adapter (below). Ensure Spacer remains between Mounting Adapter and monitor.
2. Insert two (2) M6 x 16mm PHMS through bottom of Mounting Adapter and thread into mounting holes in bottom of monitor (right).



Routine Maintenance

Periodically check all mounting hardware. Tighten as necessary for optimal operation.

Cleaning

1. The mounting assembly may be cleaned with most mild, non-abrasive solutions commonly used in the hospital environment (e.g. diluted bleach, ammonia, or alcohol solutions).
2. The surface finish will be permanently damaged by strong chemicals and solvents such as acetone and trichloroethylene.
3. Do not use steel wool or other abrasive material to clean the mounting assembly.
4. Damage caused by the use of unapproved substances or processes will not be covered by warranty. We recommend testing of any cleaning solution on a small area of the arm that is not visible to verify compatibility.
5. Never submerge the arm, and do not allow liquids to enter the arm. Wipe any cleaning agents off of the arm immediately using a water-dampened cloth. Dry the arm thoroughly after cleaning.

CAUTION: GCX makes no claims regarding the efficacy of the listed chemicals or processes as a means for controlling infection. Consult your hospital's infection control officer or epidemiologist. To clean or sterilize mounted instruments or accessory equipment, refer to the specific instructions delivered with those products.