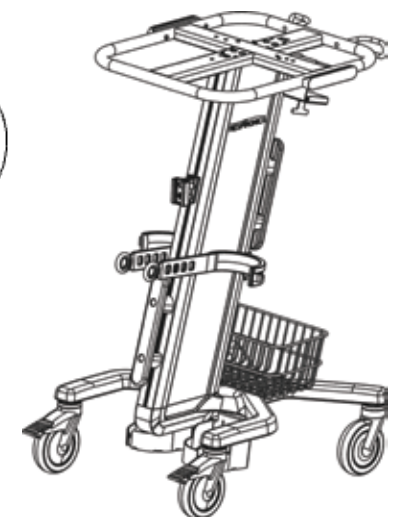
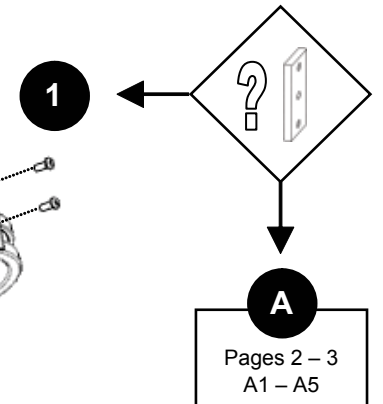
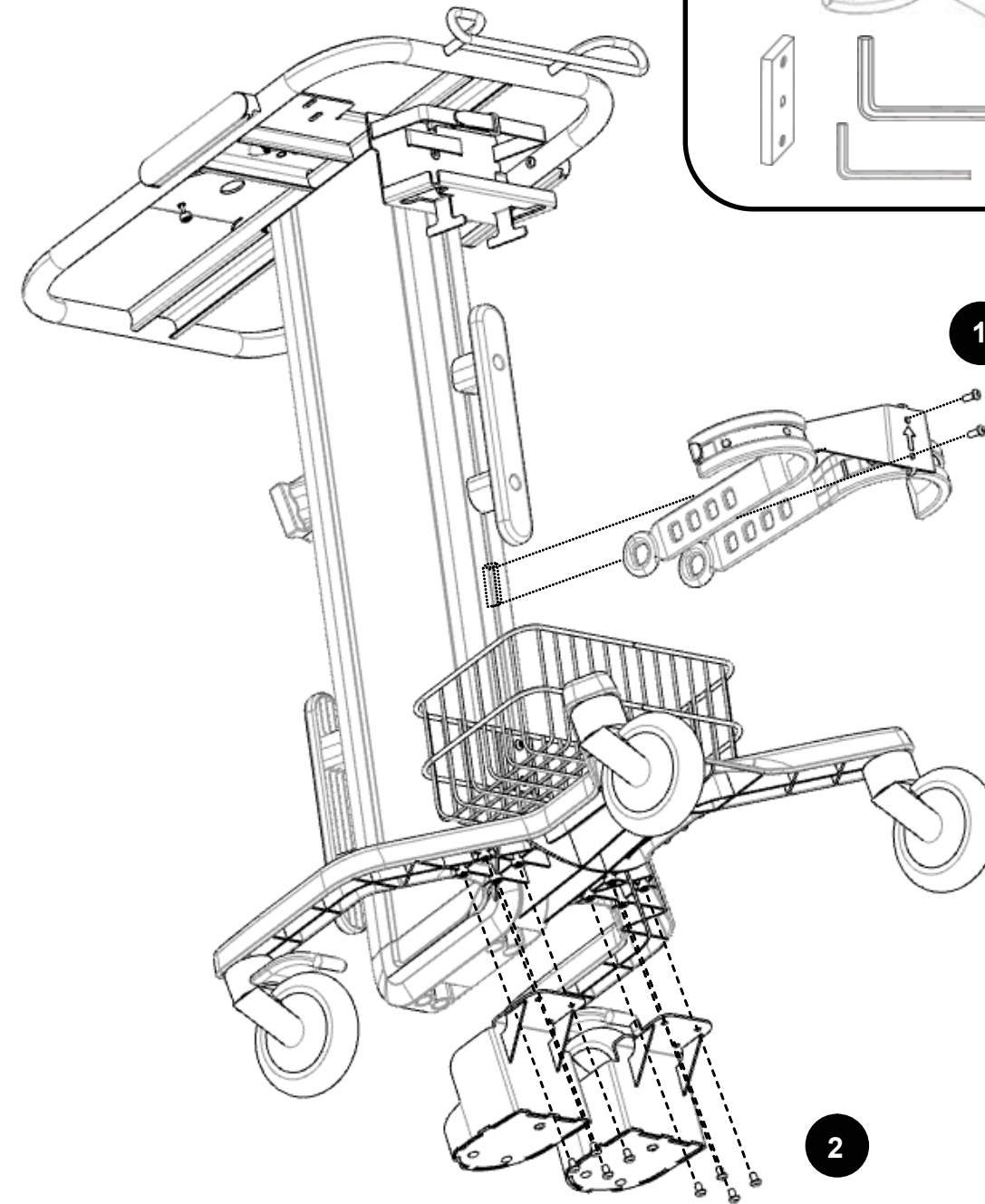
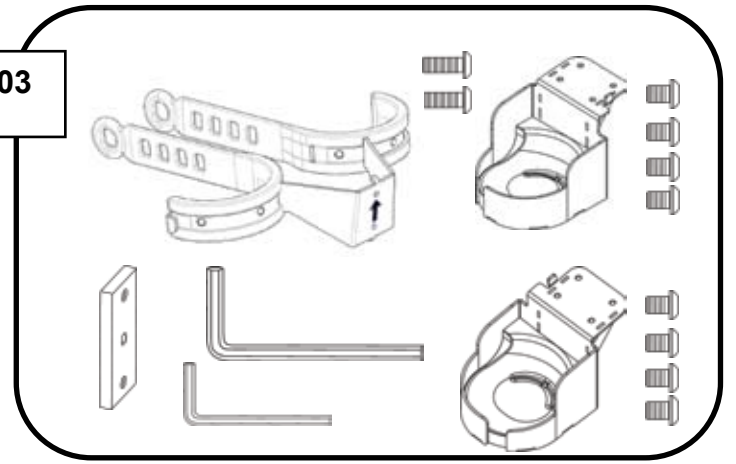


PHILIPS

REF 1048903



Philips Healthcare is part of Royal Philips Electronics

www.philips.com/healthcare
healthcare@philips.com

Manufacturer's address
Respironics California, Inc.
2271 Cosmos Court
Carlsbad, CA 92011
USA
1 800 345 6443
724 387 4000

European representative address
Respironics Deutschland GmbH
Gewerbestrasse 17
D-82211 Herrsching
Germany
+49 8 15 29 30 60



© 2009 Koninklijke Philips Electronics N.V.
All rights are reserved. Reproduction or transmission in whole or in part, in any form or by any means, electronic, mechanical or otherwise, is prohibited without the prior written consent of the copyright owner.

