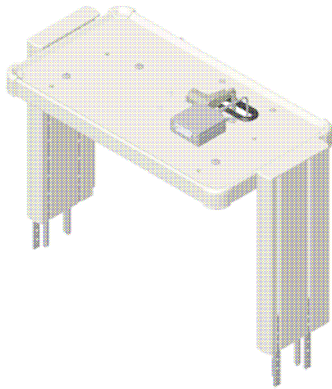
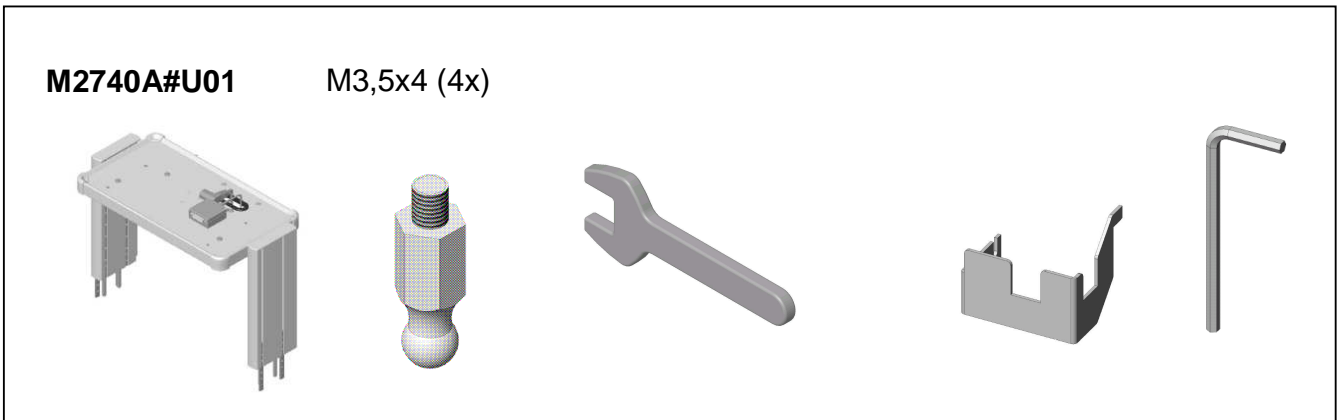


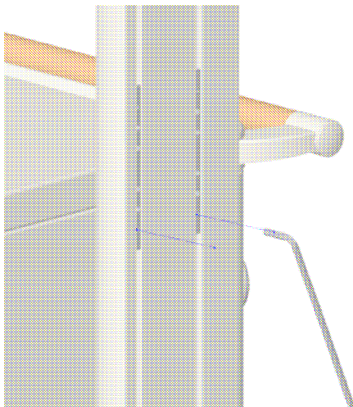
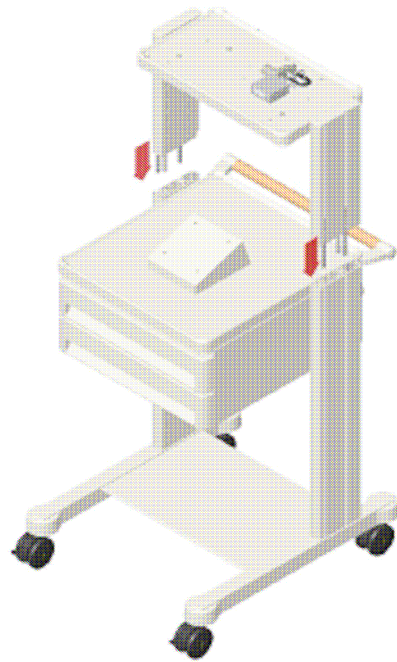
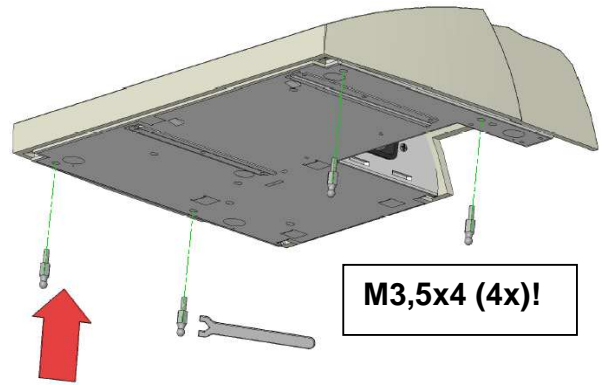
# Installation Notes for

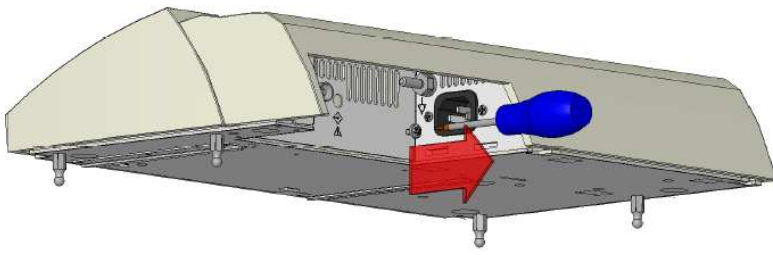
Philips M2740A #U01, Avalon CTS kit for M2740A Cart



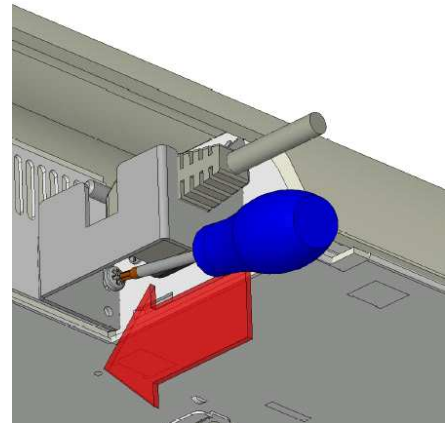
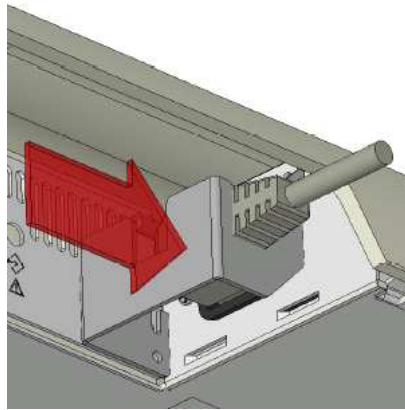
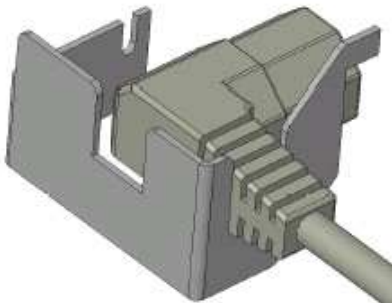
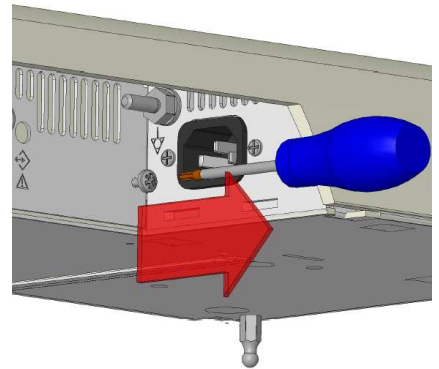
## Contents







**Torx T10**



**CLICK!**

